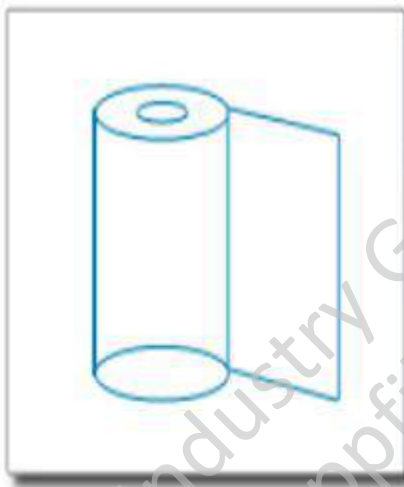
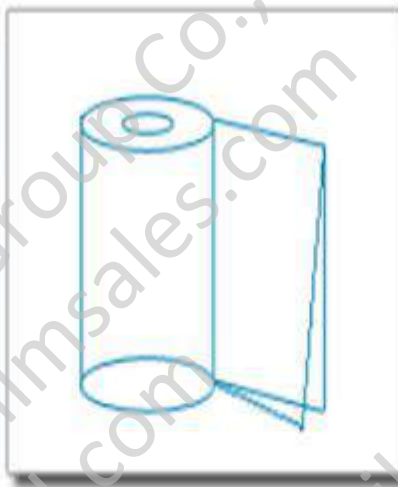


POF Thermal Shrinkable Cling Film

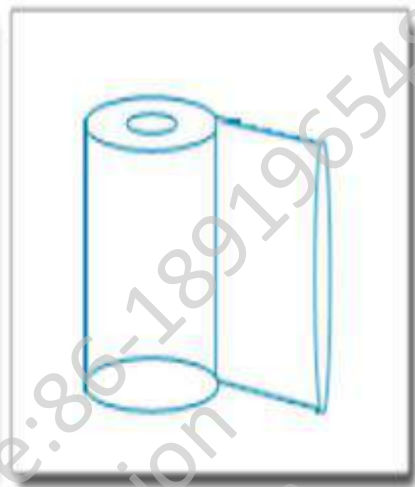
- Polyolefin Shrink Film - Center Folded & single.
- POF Tubular Form cling film (POF film- Tubular Form)
- POF macro perforated cling film (POF film)
- Colorful POF cling food wrapping film (POF film)



Single Wound



Corner folded



Tube



